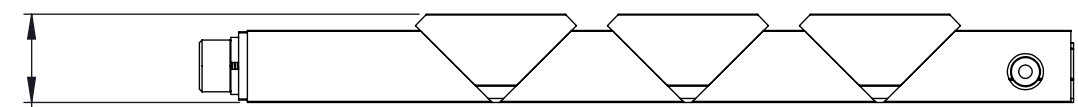


8 7 6 5 4 3 2 1

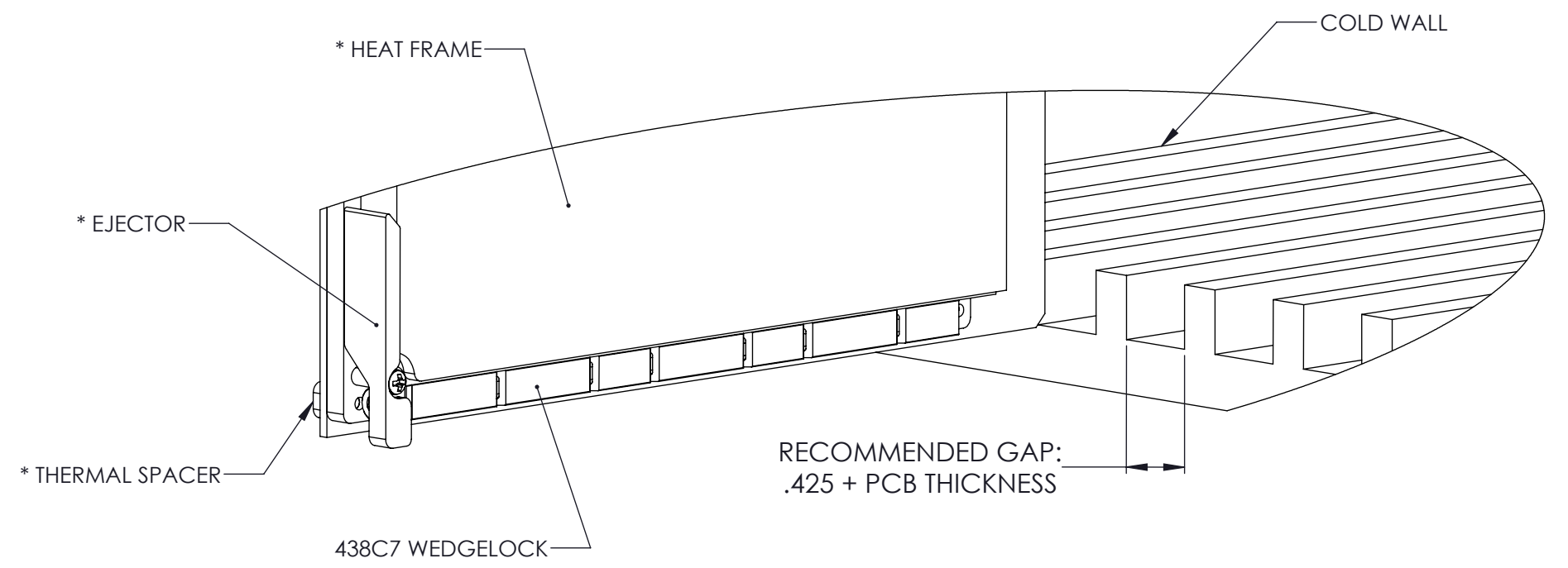
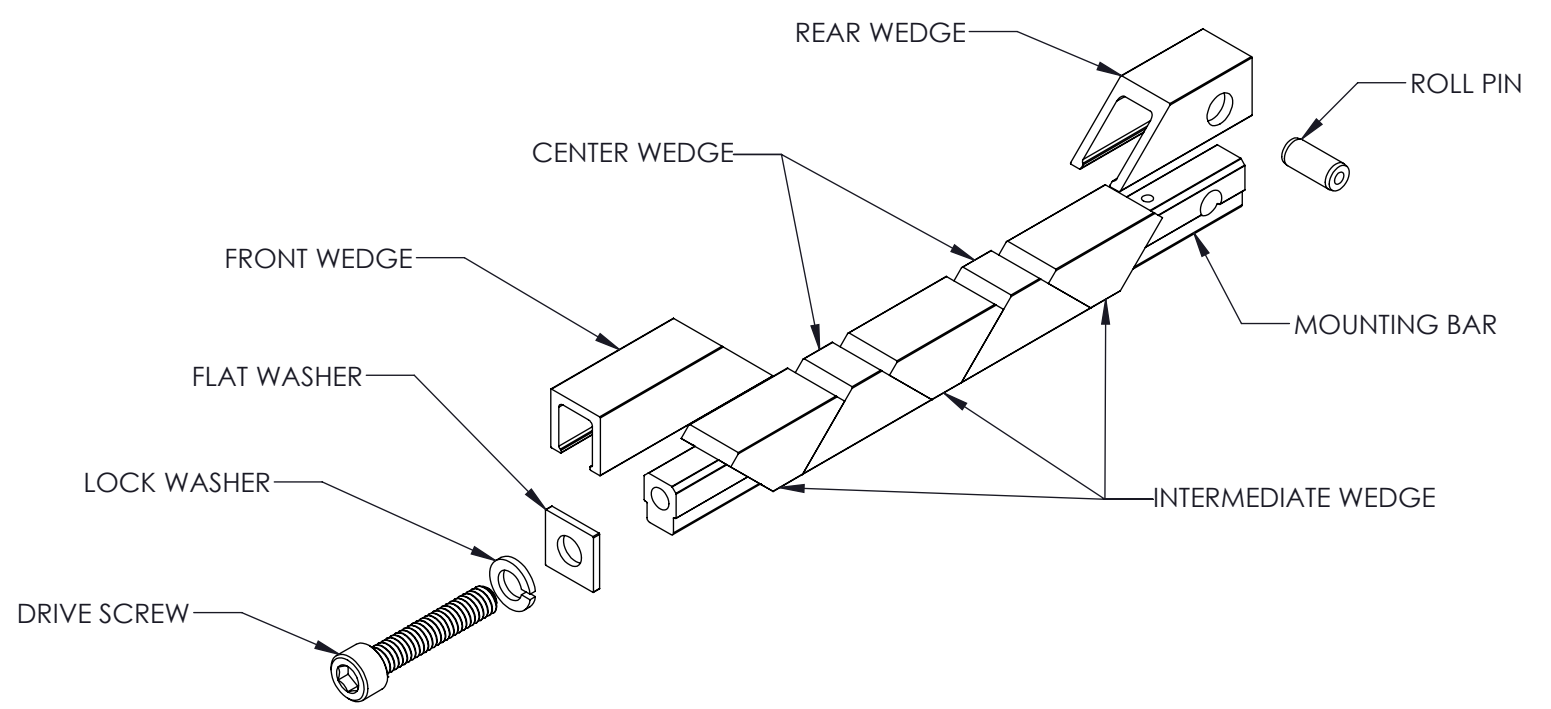
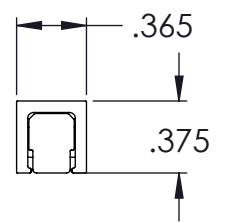


VIEW OF ASSEMBLY - EXPANDED



VIEW OF ASSEMBLY - RELAXED

ASSY LENGTH
(SEE P/N CODE SHEET 2)



FEATURES

- DESIGNED FOR HEAVY SHOCK AND VIBRATION.
- UNIFORM CLAMPING FORCE AND HIGH THERMAL TRANSFER.
- NARROW WIDTH FOR MAXIMUM PCB COMPONENT AREA.
- LOW PROFILE DESIGN ALLOWS FOR DECREASED SLOT PITCH.
- CAPTIVATED REAR WEDGE.
- LIGHT WEIGHT = ASSEMBLY LENGTH X .195 OZ [5.53 G] OR [2.18 G/CM]
- SPECIAL LENGTHS, FINISH, AND OTHER DESIGN OPTIONS AVAILABLE UPON REQUEST.

MATERIAL

MOUNTING BAR AND WEDGES: ALUMINUM 6063-T6.
ALL OTHER HARDWARE: STAINLESS STEEL, PASSIVATED.

PARTS ARE SHIPPED AS COMPLETE ASSEMBLY EXCEPT FOR RIVET MOUNT OPTION (SEE SHEET 2)
RECOMMENDED DRIVE SCREW TORQUE IS 20 IN-LBS (2.3 N-M)
24IN-LBS (2.7 N-M) ALLOWABLE MAX WITH LOCK PATCH

* CONTACT WAKEFIELD FOR COMPLETE HEATFRAME ASSEMBLY OR OTHER COMPONENT ITEMS

THIS DOCUMENT, IN ITS ENTIRETY, CONTAINS INFORMATION WHICH IS CONFIDENTIAL AND PROPRIETARY TO WAKEFIELD THERMAL. DOCUMENTS MARKED WITH PROPRIETARY ARE NOT TO BE USED, DUPLICATED OR DISCLOSED WITHOUT PRIOR WRITTEN PERMISSION OF AN OFFICER OR DULY AUTHORIZED REPRESENTATIVE OF WAKEFIELD THERMAL OR AS MAY BE PROVIDED IN A WRITTEN NON-DISCLOSURE AGREEMENT BETWEEN THE PARTIES.

CAD GENERATED DRAWING				 2910 INDUSTRIAL DRIVE, RALEIGH, NC 27609	
TOLERANCES UNLESS OTHERWISE SPECIFIED:	NAME	DATE		TITLE: 438C7 WEDGELOCK DATASHEET .375 X .365	
X.XX ± 0.010"	DRAWN	6/8/2023			
X.XXX ± 0.005"	CHECKED				
ANGULAR ± 1°	ENG APPR.	6/8/2023			
MACHINED SURFACES ⁶³	MFG APPR.			REV 23B	
INTERPRET GEOMETRIC TOLERANCES PER: ASME Y14.5M-1994	Q.A.				
MATERIAL:	SIZE	DWG NO.		438C7-DS	
SEE PART DETAIL	B	3E7U8			
FINISH:	DO NOT SCALE DRAWING	CAGE CODE:	SCALE 1:1	SHEET 1 OF 2	
SEE FINISH TABLE					

8 7 6 5 4 3 2 1

[LLL] LENGTH TABLE		
ASSY LENGTH [LLL]	[H] MTG X	[C] OPITON X/2
480	2.650	1.325
530	3.150	1.575
580	3.650	1.825
630	4.150	2.075
680	4.650	2.325
730	5.150	2.575
780	5.650	2.825
OTHER LENGTHS AVAILABLE UPON REQUEST		

[H] MOUNTING TABLE	
DASH NO	DESCRIPTION
A	NO MOUNTING HOLES
\triangle R	$\phi 0.134/0.139$ THRU $\checkmark \phi 0.309 \times 60^\circ$
T	#0-80 UNF-2B THREADS
S	#2-56 UNC-2B THREADS
V	#4-40 UNC-2B THREADS
U	M2 X 0.4 - 6H THREADS
M	M2.5 X 0.45 - 6H THREADS
Y	M3 X 0.5 - 6H THREADS
THREAD DEPTH .310	



PART DEFINITION (REQUIRED)

PART NUMBER OPTIONS (NOT REQUIRED)

PART NUMBER CODE

438C7-[LLL][H][D][F]-[C][K][P][V]

SERIES PN

ASSY LENGTH (SEE LENGTH TABLE)

MOUNTING HOLE (SEE MOUNTING TABLE)

DRIVE SCREW
'M' FOR M3 HEX
'S' FOR 9/64 HEX

FINISH (SEE FINISH TABLE)

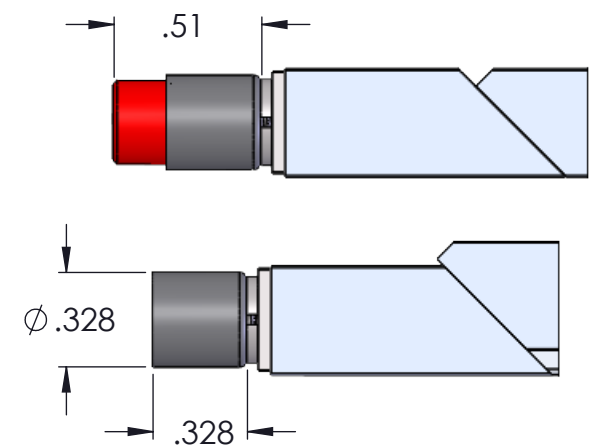
PART NUMBER OPTIONS (NOT REQUIRED)

* ADD 'V' FOR OPTIONAL VISUAL INDICATOR

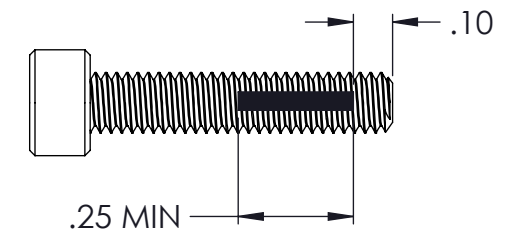
ADD 'P' FOR OPTIONAL LOCK PATCH

ADD 'K' FOR OPTIONAL CAPTIVE SCREW FEATURE

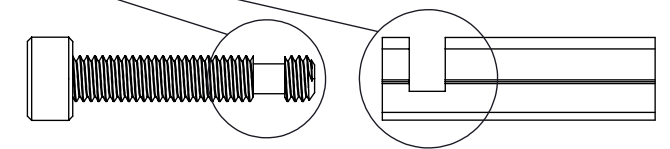
ADD 'C' FOR OPTIONAL CENTER MOUNTING HOLE



'V' OPTION
VISUALLY CONFIRMS LOCKED IN PLACE WHEN SCREW HEAD IS CONCEALED

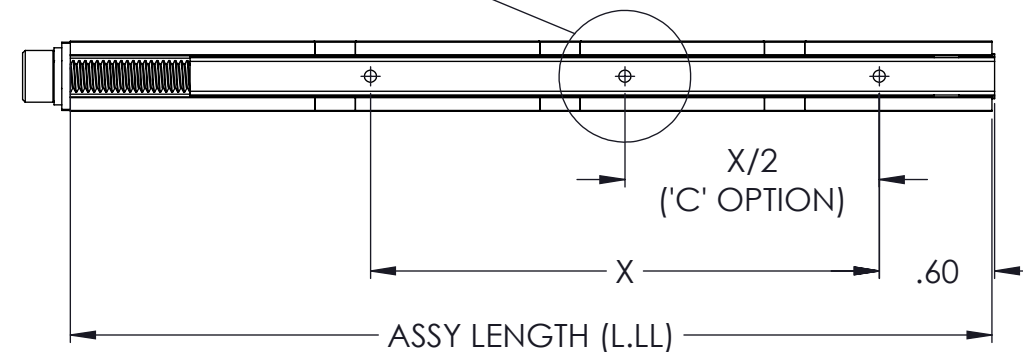


'P' OPTION
NYLON PATCH PER MIL-F-18240 PROVIDES ADDITIONAL RESISTANCE TO SHOCK AND VIBRATION



'K' OPTION
CAPTIVATES SCREW BY FREE SPINNING WHEN WEDGELOCK IS IN RELAXED POSITION

[F] FINISH TABLE	
DASH NO	DESCRIPTION
A	NO FINISH
G	CHROMATE PER MIL-DTL-5541, CLASS 1A, TYPE I (GOLD)
T	TRIVALENT CHROMATE PER MIL-DTL-5541, CLASS 1A, TYPE II (CLEAR), RoHS COMPLIANT
B	BLACK ANODIZE PER MIL-A-8625, TYPE II, CLASS 2
H	HARD BLACK ANODIZE PER MIL-A-8625, TYPE III, CLASS 2
D	HARD BLACK ANODIZE PER MIL-A-8625, TYPE III, CLASS 2 WITH DRY FILM LUBE PER MIL-L-46010
E	ELECTROLESS NICKEL PER MIL-C-26074, CLASS 4, GRADE B, BRIGHT
*N	NADCAP COMPLIANT (EX: 'BN' - BLACK ANODIZE, NADCAP)



BOTTOM VIEW

NOTES:
 \triangle SHIP AS COMPLETE ASSEMBLY IN RELAXED STATE (IF RIVET MOUNTING OPTION IS SELECTED, SHIP UNASSEMBLED)

THIS DOCUMENT, IN ITS ENTIRETY, CONTAINS INFORMATION WHICH IS CONFIDENTIAL AND PROPRIETARY TO WAKEFIELD THERMAL. DOCUMENTS MARKED WITH PROPRIETARY ARE NOT TO BE USED, DUPLICATED OR DISCLOSED WITHOUT PRIOR WRITTEN PERMISSION OF AN OFFICER OR DULY AUTHORIZED REPRESENTATIVE OF WAKEFIELD THERMAL OR AS MAY BE PROVIDED IN A WRITTEN NON-DISCLOSURE AGREEMENT BETWEEN THE PARTIES.

SIZE B	DWG NO. 438C7-DS	REV 23B
CAGE CODE: 3E7U8	SCALE 1:1	SHEET 2 OF 2

MODEL_INFO:
426MountingBar